

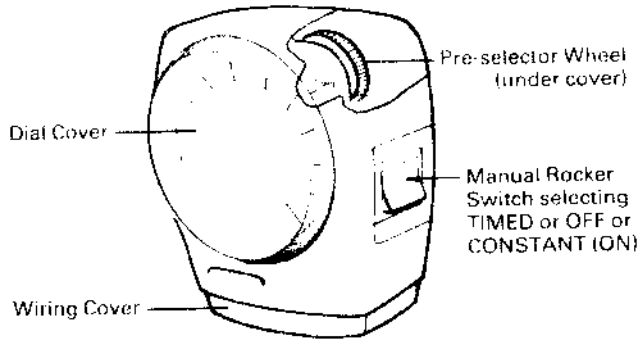
Randall

MODEL 103 USER BOOKLET

The Randall 103 Timeswitch controls your system automatically, to save you the trouble of switching manually every day.

Normally the Time Switch Dial provides 2 'ON' periods and 2 'OFF' periods each 24 hours.

1 'ON' Period and 1 'OFF' Period can be SELECTIVELY obtained by the use of the Pre-Selector Wheel (see para 5).



Installer: Please leave this booklet with the Householder after installation is complete.

1. Setting the programme (TAPPETS A, B, C, D)

- Remove the Dial Cover by turning slightly to the left and pull off.
- Decide when you want the 'ON' periods. While gripping the Dial Knob slide the dial tappets firmly, as shown. The tappets may be quite stiff to move.

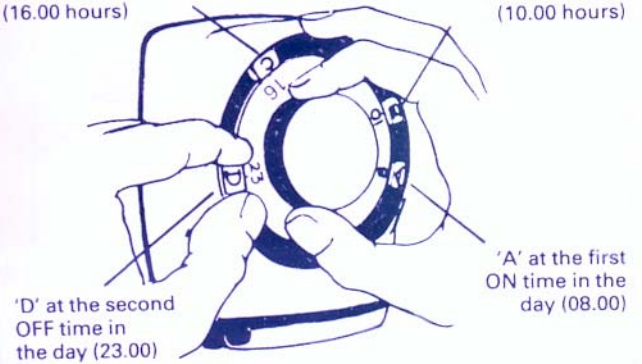
If you want the switch ON between 8 a.m. and 10 a.m. and then between 4 p.m. (16.00 hours) and 11 p.m. (23.00 hours), set the tappets as shown. (A to 8, B to 10, C to 16, D to 23.)

Remember: Red Tappets (A and C) switch ON
Blue Tappets (B and D) switch OFF

- Using the Dial Knob, rotate the Dial completely at least twice, clockwise only, to clear the mechanism.

'C' at the second ON time in the day (16.00 hours)

'B' at the first OFF time in the day (10.00 hours)



'D' at the second OFF time in the day (23.00)

Note: Tappets can be moved around the dial in a clockwise or anti-clockwise direction, as convenient.

2. Setting the Time of Day

Suppose it is 3.00 p.m. (15.00 hours) when you are making this adjustment. Using the Dial Knob, rotate the Dial (clockwise only) until '15' on the Dial is next to the 'Time' Mark, as shown.

Remember you will have to re-set the time after a Power Cut—and also when the clocks change in Spring and Autumn.

IMPORTANT: Any adjustment to the Time of Day setting must be made by rotating the dial **Clockwise only**.

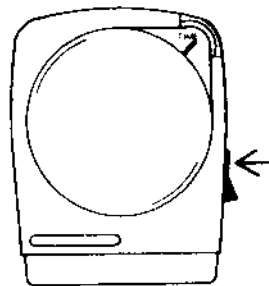
Replace dial cover when setting has been complete.

Turn Clockwise Only



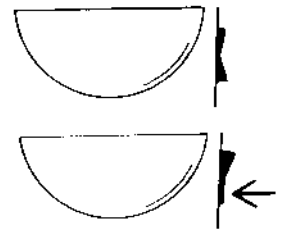
3. Selecting the Services.

Use the Rocker Switch on the side of the unit as shown.



Rocker pressed to 'TIMED'. Control is by the Timeswitch Programme.

Rocker central gives:- Permanent 'OFF'



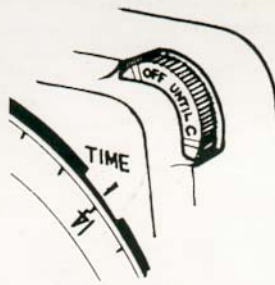
Rocker pressed to 'CONSTANT' gives:- Permanent 'ON'

- The 103 unit has now been set, and the current 'state' of the Timeswitch can be seen on the Wheel at the top righthand corner of the unit, (e.g. "OFF UNTIL C", etc.).

This Wheel can also be used, if required, to give a very useful 'pre-selector' effect for occasions when departing from normal heating routine.

5. Use of the Pre-selector

Suppose your Dial Programme is set as described in para. 1, but you arrive home earlier than usual, at 2.00 p.m. (14.00 hours), and you need the Heating ON immediately. Your unit looks like this:



By removing the plastic cover you can use the Wheel as a Pre-Selector, by turning it **anti-clockwise** until it displays '**ON UNTIL D**' as shown on the right.

Thus the system is turned ON manually at 2.00 p.m. but will revert to its normal automatic switching programme at the next operation (i.e. OFF at 11.00 p.m.)

Similarly, you can turn the unit OFF when it is ON.

Probably the most useful pre-selections are:

ALL DAY ON (1 ON/1 OFF).
Turn the Wheel to display "ON UNTIL D".

ALL DAY OFF.
Turn the Wheel to display "OFF UNTIL A".



Note: Do not attempt to operate the pre-selector whilst a tappet is in the immediate vicinity of the 'Time Mark', as this may cause the actual time of day setting of the clock to be altered, which would necessitate re-setting as described under para. 2.

Remember to replace the thumbwheel cover after adjustments have been completed.